



PRODUCTS

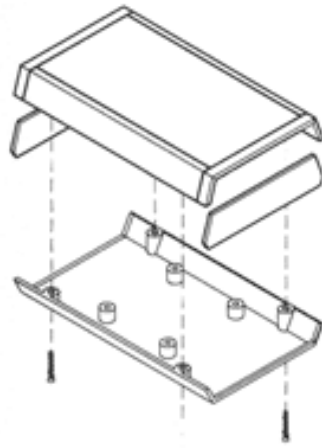
- Products Home
- Size Table
- Accessories
- Customization
- + A-Series
- + C-Series
- + CA-Series
- + CH-Series
- + G-Series
- + H-Series
- + M-Series
- + R-Series
- + RX-Series
- + S-Series
- + SL-Series

Products: A-Series A-20



MODEL	LENGTH	WIDTH	HEIGHT	DRAWINGS	
				(.pdf)	(.dwg)
A-20	4.250"	2.600"	0.880"		

FEATURES

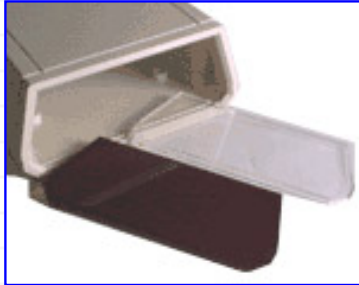


- Four-piece design (top, bottom, two end panels)
- Interchangeable end panels ([see options below](#))
- Circuit board mounting bosses
- Assembly with four screws
- Customization available
 - four insert areas/I-Plates (top, bottom, two end panels)
 - machining
 - pad printing

COLORS

- Black
 Almond
 Gray
 Custom Colors Also Available

ACCESSORIES (Click an accessory for compatible models and part numbers)



Clear & Infrared Faceplates



Pocket Clip



Non-Skid Feet (P/N 52)

[RETURN TO TOP](#)

[Home](#) | [About SERPAC](#) | [Products](#) | [Accessories](#) | [Customizations](#) | [Distributors](#) | [Buy Now!](#) | [Contact Us](#)
[PRODUCTS: A-Series](#) | [C-Series](#) | [CA-Series](#) | [CH-Series](#) | [G-Series](#) | [H-Series](#) | [M-Series](#) | [R-Series](#) | [S-Series](#) | [SL-Series](#)

© 2004, SERPAC Electronic Enclosures. All Rights Reserved